

## Pluggable Single-Pole SPD

# SLP40-275/1(S)

Class II • Type 2



Location of Use: Sub-Distribution Boards  
 Network Systems: TN-S, TN-C, TT (only L-N)  
 Mode of Protection: L-PE, N-PE (only TN-S), L-PEN, L-N  
 Surge Ratings:  $I_n = 20 \text{ kA}$  (8/20  $\mu\text{s}$ )  
 IEC/EN Category: Class II / Type 2 / Type 1CA  
 Protective Elements: High Energy MOV  
 Housing: Pluggable Design  
 Compliance: IEC 61643-11:2011  
 EN 61643-11:2012

### Technical Data

#### SLP40-275/1(S)

275

#### IEC Electrical

Nominal AC Voltage (50/60Hz)	$U_o / U_n$	230 V
Maximum Continuous Operating Voltage (AC)	$U_c$	275 V
Nominal Discharge Current (8/20 $\mu\text{s}$ )	$I_n$	20 kA
Maximum Discharge Current (8/20 $\mu\text{s}$ )	$I_{max}$	40 kA
Voltage Protection Level	$U_p$	1500 V
Residual Current at $U_c$	$I_{PE}$	< 0,5 mA
Response Time	$t_A$	< 25 ns
Back-Up Fuse (max)		125 A gL / gG
Short-Circuit Current Rating (AC)	$I_{SCCR}$	25 kA
TOV Withstand 5s	$U_T$	335 V
TOV 120min	$U_T$	440 V
	mode	Safe Fail
Number of Ports		1

#### Mechanical & Environmental

Operating Temperature Range	$T_a$	-40 °F to +158 °F [-40 °C to +70 °C]
Permissible Operating Humidity	RH	5%...95%
Atmospheric pressure and altitude		80k Pa ... 106k Pa / -500 m ... 2000 m
Terminal Screw Torque	$M_{max}$	39.9 lbf-in [4.5 Nm]
Conductor Cross Section (max)		2 AWG (Solid, Stranded) / 4 AWG (Flexible) 35mm <sup>2</sup> (Solid, Stranded) / 25 mm <sup>2</sup> (Flexible)
Mounting		35 mm DIN Rail, EN 60715
Degree of Protection		IP 20 (built-in)
Housing Material		Thermoplastic: Extinguishing Degree UL 94V-0
Thermal Protection		Yes
Operating State / Fault Indication		Green ok / Red defect
Remote Contacts (RC)		Optional
RC Switching Capacity		AC: 250V / 0.5A; DC: 250V / 0.1A; 125V / 0.2A; 75V / 0.5A
RC Conductor Cross Section (max)		16 AWG (Solid) / 1.5 mm <sup>2</sup> (Solid)

#### Order Information

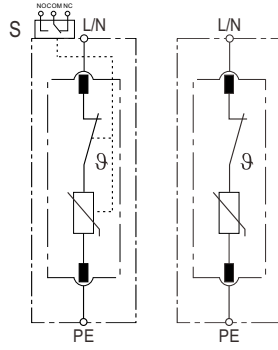
Ordering Code	275
SLP40-275/1	4027511
SLP40-275/1S (with remote contacts)	4027512
SLP40-275/0 (spare modules)	4027501

# SLP40-275/1(S)

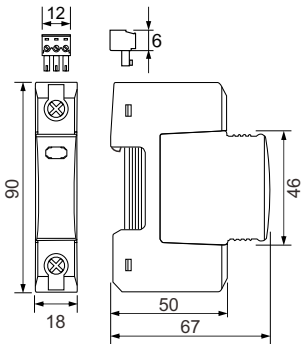
## Internal Configuration

### Legend

- L Line
- N Neutral
- PE Protective Earth
- S Signalling Contacts Optional



## Dimensions & Packaging

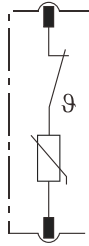


### Dimensions & Packaging

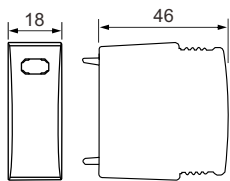
SLP40-275/1(S)	275
Single Unit DIN 43880 Dimension	1 CTN
Packaging Dimensions (HxWxL)	[270 × 230 × 330 mm]
Minimum Order Quantity	72 Units

## Plug Internal Configuration

### SLP40-275/0



## Dimensions & Packaging



### Dimensions & Packaging

SLP40-275/0	275
Single Unit DIN 43880 Dimension	1 CTN
Packaging Dimensions (HxWxL)	[270 × 230 × 330 mm]
Minimum Order Quantity	96 Units

## Connection Diagram

### TN-S, TN-C, TT (Single-phase, 1+0)

